

FIGURE 1

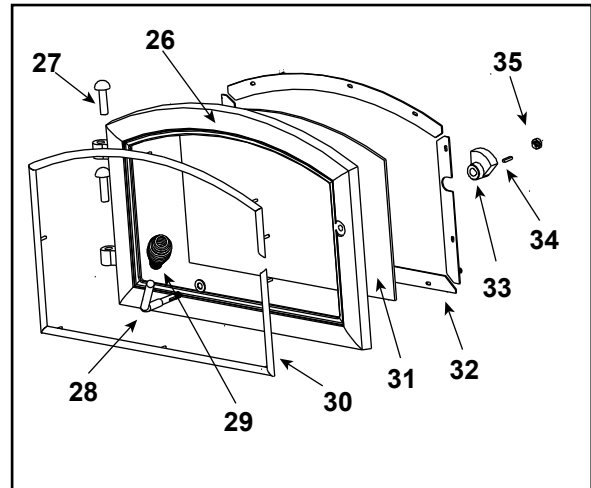


FIGURE 2

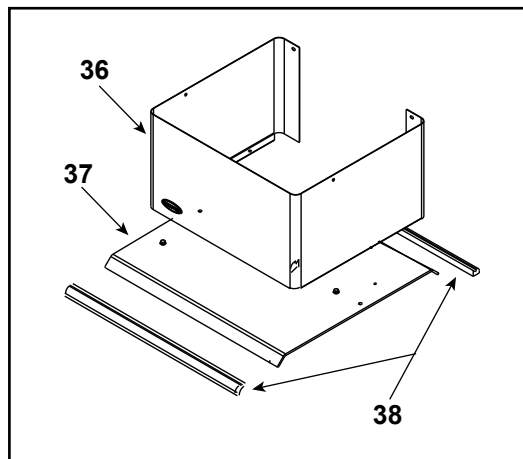


FIGURE 3

MILLENNIUM

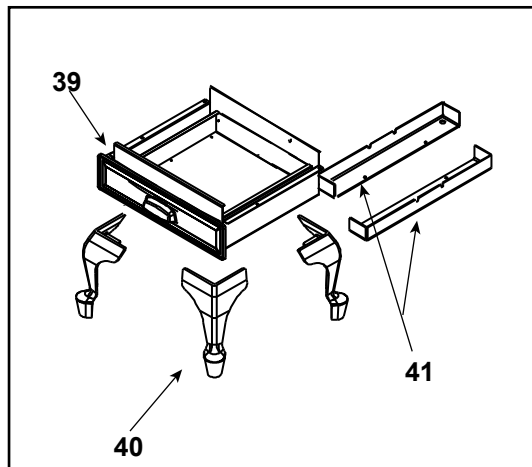


FIGURE 4 STEP TOP UNIBODY

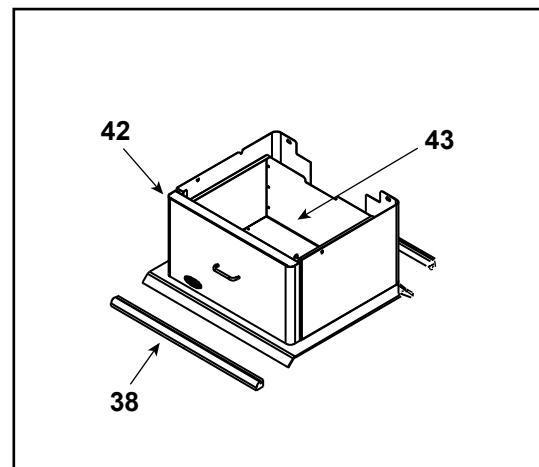


FIGURE 5 STEP TOP UNIBODY

Part number list on following page.

IMPORTANT: THIS IS DATED INFORMATION

When requesting service or replacement parts for your appliance please provide model number and serial number. All parts listed may be orderd from an authorized dealer.

HOW TO ORDER

To order the entire assembly, order the top line part number only.
To order an individual part from an assembly, order the part(s) listed in the indented portion.



Item	Description	Comments	Part Number	Stocked at Depot
1	Panel Assembly, Side, Left	Millennium	7033-019	
		Step-Top	7033-038	
2	Firebrick Set	Millennium	SRV7033-006	
		Step-Top	SRV7033-032	
	Brick, Single	Qty: 1	832-0550	
	Brick, Uncut, Set Of 6	Qty: 6	832-3040	
3	Tube Support Rack		7033-148	
4	Brick Retainer		7033-149	
5	Ceramic Fiber Blanket, 1/2 " Thick	19 in. W x 13-3/4 in H	832-3390	Y
6	Baffle Board	Qty: 2, 9-1/2 in W x 13-3/4 in H	SRV7033-209	Y
7	Rear Channel Assembly		7033-002	Y
8	Ars Grate	Step-Top	7033-173	
9	Label, Burn Rate		7033-160	
10	Panel Assembly, Side, Right	Millennium	7033-017	
		Step-Top	7033-037	
11	Label, Start-Up, Acc		7033-166	
12	Tube Channel Top	Tube Channel Access Cover	SRV7033-237	
13	Tube, Channel Assembly	Manifold Tubes	SRV7033-023	Y
14	Air Channel, Convection W/Bracket	Retain Original Serial Number Label	SRV7033-144	
15	Air Supply Back		SRV7033-134	
16	Burn Rate Control Assembly		7033-033	Y
17	Spring Handle, 1/4"	Gold	832-0630	Y
		Nickel	250-8340	
18	Door Gasket	Front & Rear Air Timer Doors	7033-282	Y
19	Timer Air Control Assembly		SRV7033-052	Y
	Door Gasket	Front & Rear Air Timer Doors	7033-282	Y
	Rear Air Door Assembly		7033-024	Y
20	Rear Air Control Arm Assembly		7033-035	Y
21	Knob	Start-Up Control Knob	7000-343	
22	Air Control Rod Guide		7033-210	
23	Latch, Magnet	For Air Control	229-0631	
24	Timer Arm Assembly		7033-034	Y
25	Timer (Only) Replacement Assembly		SRV480-1940	Y
26	Door Assembly	Black	832-1092	
		Gold Trim	832-1912	
		Nickel Trim	DR-31/43NL	
27	Hinge Pins, 1/2"	Qty: 2 Gold	832-0250	
		Qty: 2 Nickel	430-5320	

HOW TO ORDER

To order the entire assembly, order the top line part number only.

To order an individual part from an assembly, order the part(s) listed in the indented portion.



Item	Description	Comments	Part Number	Stocked at Depot
28	Door Handle Only		430-1131	
29	Spring Handle, 1/2"	Gold	832-0620	Y
		Nickel	250-8330	
30	Trim, Ring, Door	Gold Trim	430-2682	
		Nickel Trim	430-5340	
31	Door Glass Assembly	15-1/2 in. W x 13-3/8 in H	7000-012	Y
32	Glass Frame Set	Qty; 4 pc	832-0350	
33	Cam Latch		430-1141	
34	Key, Cam Latch		430-1151	
35	Nut, Locking Door Handle	Qty: 24	226-0100/24	Y
	Gasket, Glass Tape	Qty: 5 Ft, Field Cut to Size	832-0460	Y
	Rope, Door, 3/4" X 84"	Qty: 7 Ft, Field Cut to Size	832-1680	Y
	Screw, Flat Head Phillips 8-32X1/2	Qty: 10	832-0860	
	Washer, Sae, 3/8 (3 Ea)	Qty: 3	832-0990	
36	Pedestal Riser	Millennium	7033-207	
37	Pedestal Base	Millennium	7033-163	
38	Strip, Oak Trim	Qty: 2	832-0560	
39	Ash Pan, Front Assembly Leg	Step-Top	7033-008	
	Ash Pan Leg Ars	Step-Top	7033-050	
40	Legs, Queen Anne	Black	831-1240	
		Gold	831-1250	
		Nickel	LEGS-QANL	
41	Leg Mount Bracket	Step-Top (Set)	SRV7033-183	
42	Pedestal Assembly	Step-Top	7033-013	
43	Ashpan Assembly	Step-Top	7033-010	
	Ash Pan Door Handle	Step-Top	7033-274	
	Ash Pan Leg Ars	Step-Top	7033-050	
	Ars, Door Assembly	Step-Top	SRV7033-015	Y
	Ashpan Assembly	Step-Top	7033-010	
	Blower Control Box W/Switch		SRV7000-194	Y
	Blower, Convection	Replacement Blower	812-4900	Y
	Channel, Ash Removal	Step-Top	7033-172	
	Component Pack	For Black & Gold Trim Doors	436-5350	
	Hinge Pins, 1/2"	Qty: 2, Gold	832-0250	
	Logo, Quadra-Fire, Gold	Gold	200-3180	
	Spring Handle, 1/2"	Qty: 1, Gold	832-0620	Y
	Spring Handle, 1/4"	Qty: 2, Gold	832-0630	Y
	Component Pack	For Nickel Trim Doors	436-5360	
	Hinge Pins, 1/2"	Qty: 2, Nickel	430-5320	
	Logo, Quadra-Fire, Nickel	Nickel	200-3240	

HOW TO ORDER

To order the entire assembly, order the top line part number only.

To order an individual part from an assembly, order the part(s) listed in the indented portion.



Item	Description	Comments	Part Number	Stocked at Depot
	Spring Handle, 1/2"	Qty: 1, Nickel	250-8330	
	Spring Handle, 1/4"	Qty: 1, Nickel	250-8340	
	Component Pack (Includes Touch-Up Paint, Owners Manual & Warranty Card)	Step Top, Spring Handles Included in Door Assembly	7033-043	
	Paint Touch-Up		7000-304	
	Component Pack Assembly (Includes Touch-Up Paint, Nickel Spring Handles (1) 1/2 Inch & (2) 1/4 Inch, Trimount Plug, Onwers Manual & Warranty Card)	For Nickel Trim (Stoves)	7033-029	
	Paint Touch-Up		7000-304	
	Plug, Trimount, .250"	Qty: 24	229-0880/24	Y
	Spring Handle, 1/2"	Qty: 1	250-8330	
	Spring Handle, 1/4"	Qty: 1	250-8340	
	Component Pack Assembly (Includes Touch-Up Paint, Gold Spring Handles (1) 1/2 Inch & (2) 1/4 Inch, Trimount Plug, Owners Manual & Warranty Card)	For Black & Gold Trim (Stoves)	7033-027	
	Paint Touch-Up		7000-304	
	Plug, Trimount, .250"	Qty: 24	229-0880/24	Y
	Spring Handle, 1/2"	Qty: 1	832-0620	Y
	Spring Handle, 1/4"	Qty: 2	832-0630	Y
	Door Handle Assembly		832-0540	Y
	Flue Collar	Millennium	SRV7000-302	
	Gasket, Ars	Step-Top	SRV7033-296	Y
	Latch, Handle Assembly, Ash Removal		SRV7033-047	Y
	Magnet Round		SRV7000-140	Y
	Outside Air Collar Assembly		7033-039	
	Outside Air Cover Plate Assembly		SRV7033-041	Y
	Outside Air Shield		33271	Y
	Snap Disc Bracket Assembly		SRV7033-036	
	Snap Disc, # 1, Convection Blower		SRV230-0470	Y
	Upgrade, Door, Nickel	Nickel Spring Handles, Hinge Pins & Logo	UK-DRNL	
	Wire Harness (Blower)		7033-262	
ACCESSORIES				
	Blower Assembly		BK-ACC	
	Blower Control Box W/Switch		SRV7000-194	Y
	Component Pack		SRV7033-051	
	Snap Disc Bracket Assembly		SRV7033-036	
	Snap Disc, # 1, Convection Blower		SRV230-0470	Y
	Wire Harness (Blower)		7033-262	

HOW TO ORDER

To order the entire assembly, order the top line part number only.

To order an individual part from an assembly, order the part(s) listed in the indented portion.



Item	Description	Comments	Part Number	Stocked at Depot
	Leg Kit & Ash Removal System	Black	LEG-3143-BK	
		Gold	LEG-3143-GD	
		Nickel	LEG-3143-NL	
	Ash Pan Leg Ars	Step-Top	7033-050	
	Ars, Door Assembly	Step-Top	SRV7033-015	Y
	Ash Pan, Front Assembly Leg	Step-Top	7033-008	
	Component Pack, Leg Step Top (Includes Gasket For Ash Removal, Magnet & Fasteners)	For Leg Step-Top	7033-048	
	Gasket, Ars	Step-Top	SRV7033-296	Y
	Latch, Handle Assembly, Ash Removal		SRV7033-047	Y
	Magnet Round		SRV7000-140	Y
	Legs, Queen Anne	Black	831-1240	
		Gold	831-1250	
		Nickel	LEGS-QANL	
	Outside Air Kit, Floor & Rear		OAK-ACC	
	Outside Air Collar Assembly		7033-039	
	Outside Air Shield		33271	Y
	Pedestal	Step-Top	PED-3143	
	Ars, Door Assembly		SRV7033-015	Y
	Ash Pan Door Handle		7033-274	
	Ashpan Assembly	Step-Top	7033-010	
	Component Pack, Pedestal, Step-Top (Includes Gasket For Ash Removal, Magnet & Fasteners)	Pedestal, Step-Top	7033-045	
	Gasket, Ars	Step-Top	SRV7033-296	Y
	Latch, Handle Assembly, Ash Removal		SRV7033-047	Y
	Magnet Round		SRV7000-140	Y
	Outside Air Cover Plate Assembly		SRV7033-041	Y
	Pedestal Assembly	Step-Top	7033-013	
	Strip, Oak Trim		832-0560	

HOW TO ORDER

To order the entire assembly, order the top line part number only.

To order an individual part from an assembly, order the part(s) listed in the indented portion.



Stocked
at Depot

Item	Description	Comments	Part Number	Stocked at Depot
FASTENERS				
	Avk Rivnut Repair Kit	1/4-20 & 3/8-16 Rivnut Tools	RIVNUT-REPAIR	Y
	Bolt, Hex Head, 1/4-20 X 1	Qty: 10	25221A/10	Y
	Button Head 1/4-20 X .5	Qty: 20	32328/20	Y
	Nut, Keps Lock, 10-32	Qty: 40	226-0050/40	Y
	Nut, Keps Lock, 8-32	Qty: 40	226-0060/40	
	Nut, Locking Door Handle	Qty: 24	226-0100/24	Y
	Nut, Ser Flange Small 1/4-20	Qty: 24	226-0130/24	Y
	Plug, Trimount, .250"	Qty: 24	229-0880/24	Y
	Screw, Flat Head Philips 8-32X1/2	Qty: 10	832-0860	
	Screw, Sheet Metal #8 X 1/2 S-Grip	Qty: 40	12460/40	Y
	Washer, 1/4 Sae	Qty: 24	28758/24	Y
	Washer, Sae, 3/8 (3 Ea)	Qty: 3	832-0990	